

4

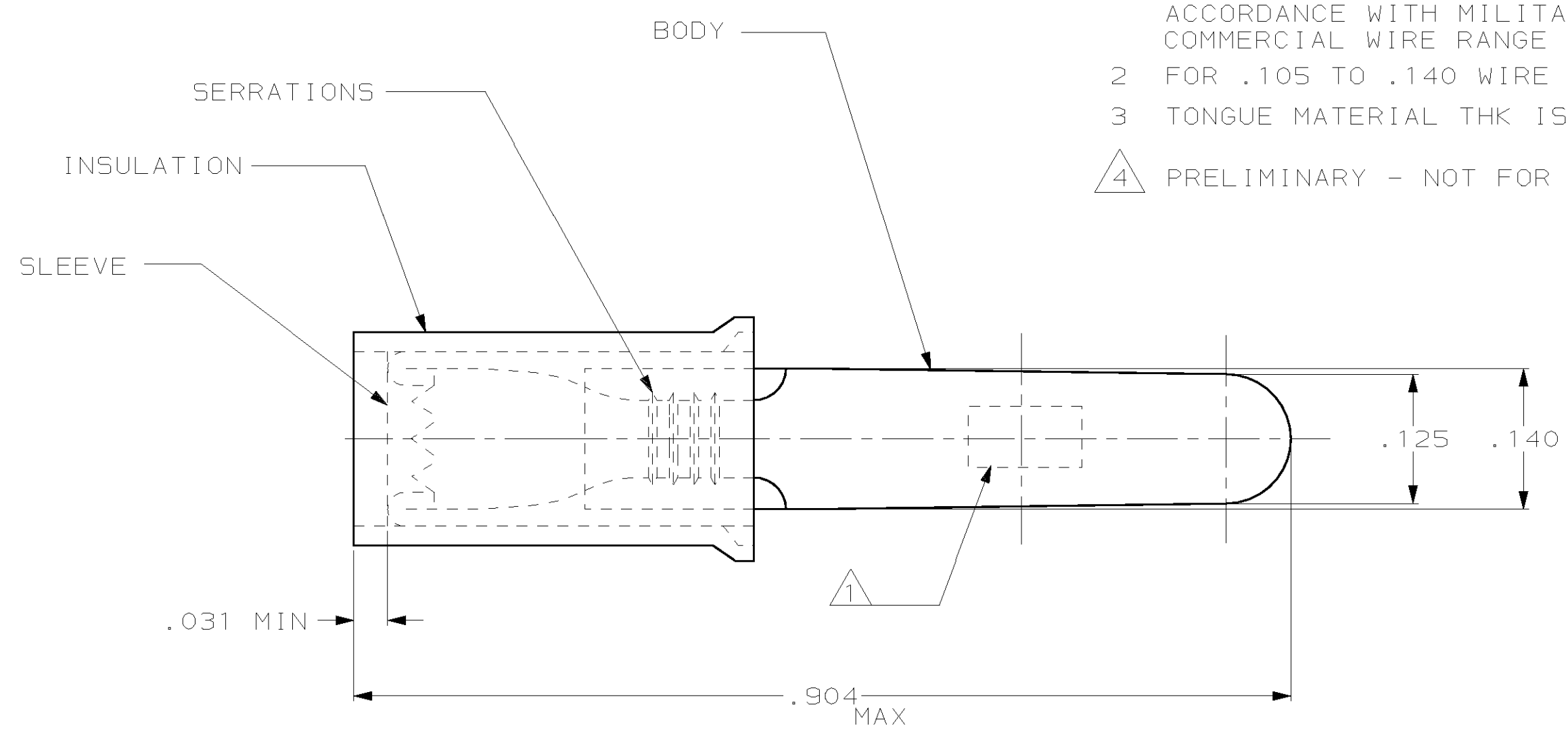
3

2

1

THIS DRAWING IS UNPUBLISHED. RELEASED FOR PUBLICATION ,19 .
 © COPYRIGHT 19 BY AMP INCORPORATED. ALL RIGHTS RESERVED.

LOC	DIST	REVISIONS					
		P	LTR	DESCRIPTION	DATE	DWN	APVD
G	14		J	REDRAWN PER 0G3A-0249-01	03APR01	JR	TM



- 1 STAMPED AMP 22-18*, APPROX AS SHOWN. 22-16 TERMINALS ARE STAMPED 22-18 IN ACCORDANCE WITH MILITARY SPEC MIL-T-7928 COMMERCIAL WIRE RANGE 22-16
- 2 FOR .105 TO .140 WIRE INSULATION DIA.
- 3 TONGUE MATERIAL THK IS .031±.002.
- 4 PRELIMINARY - NOT FOR PRODUCTION

100	LOOSE PIECE, BOX	8-34294-1	BODY: COPPER PER ASTM B152 TIN PLATE PER ASTM B545
5000	ON TAPE, REEL	2-34294-1	SLEEVE: COPPER PER ASTM B152 TIN PLATE PER ASTM B545
1000	LOOSE PIECE	34294	INSULATION: NYLON, COLOR - RED
QTY	PACKAGE TYPE	PART NO.	MATERIAL & FINISH
THIS DRAWING IS A CONTROLLED DOCUMENT.		DWN JR RUTH 03APR01	AMP AMP Incorporated Harrisburg, PA 17105-3608
		CHK MS FEHER 03APR01	
DIMENSIONS: INCHES		APVD T MICHIELUTTI 03APR01	NAME WIRE TERMINAL, PIDG, RECTANGULAR TAB, WIRE SIZE: 22-16
TOLERANCES UNLESS OTHERWISE SPECIFIED: 0 PLC ±- 1 PLC ±- 2 PLC ±- 3 PLC ±.008 4 PLC ±- ANGLES ±5°		PRODUCT SPEC -	SIZE A3
MATERIAL -		APPLICATION SPEC -	CAGE CODE 00779
		WEIGHT -	DRAWING NO C- 34294
CUSTOMER DRAWING			RESTRICTED TO -
			SCALE 8:1
			SHEET 1 OF 1
			REV J